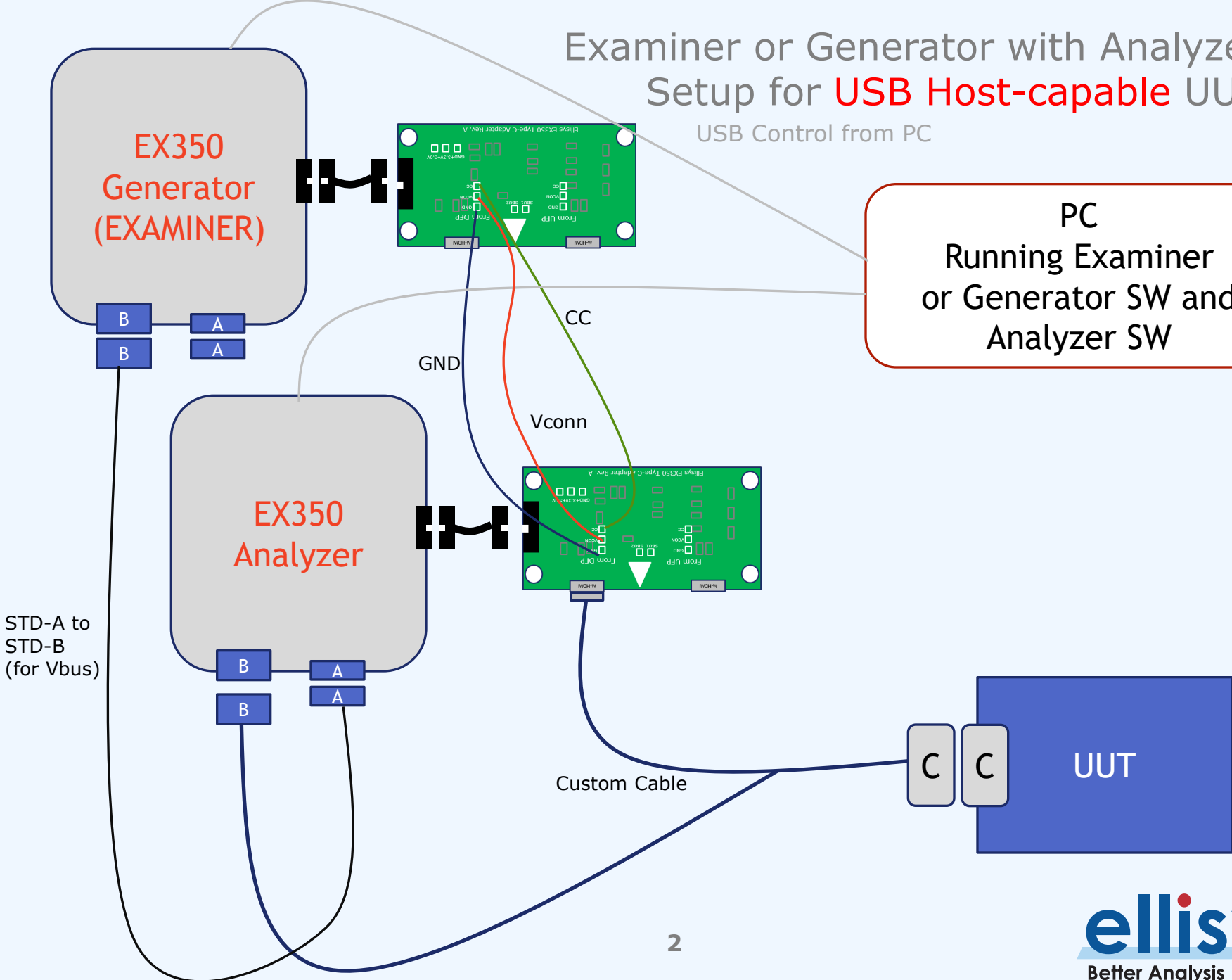


Examiner or Generator with Analyzer Setup for USB Host-capable UUT

USB Control from PC

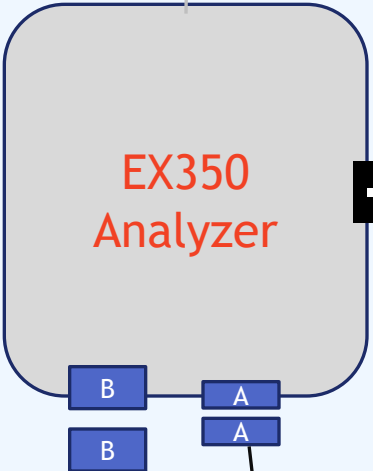
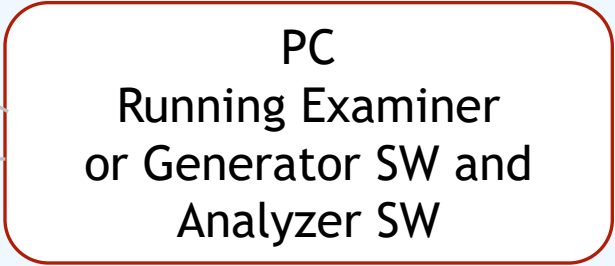
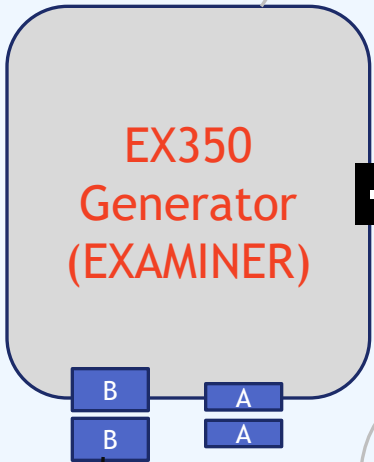
PC
Running Examiner
or Generator SW and
Analyzer SW



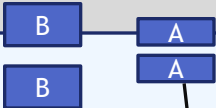
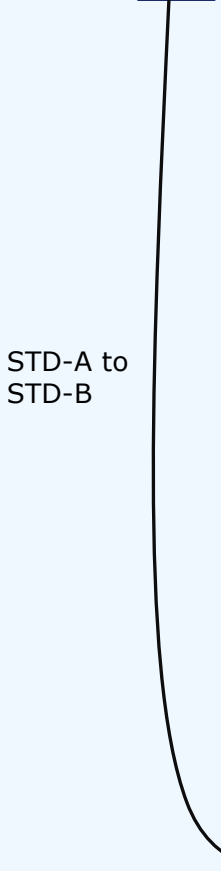
STD-A to
STD-B
(for Vbus)

Examiner or Generator with Analyzer Setup for **USB Host-capable UUT** With Std-A connector

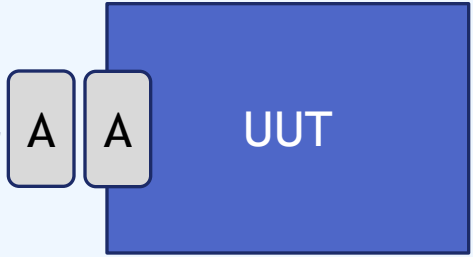
USB Control from PC



STD-A to STD-B

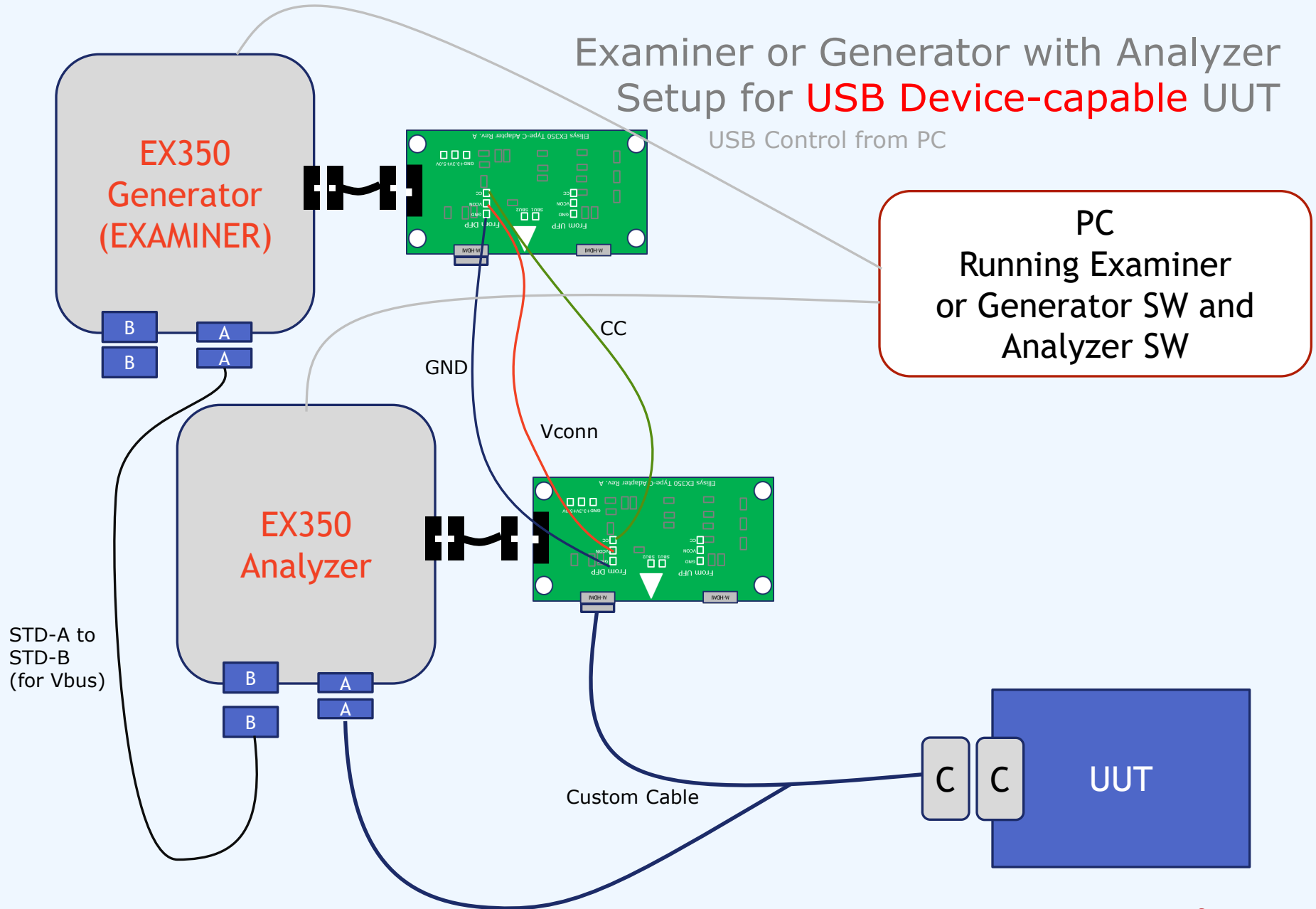


STD-A to STD-B

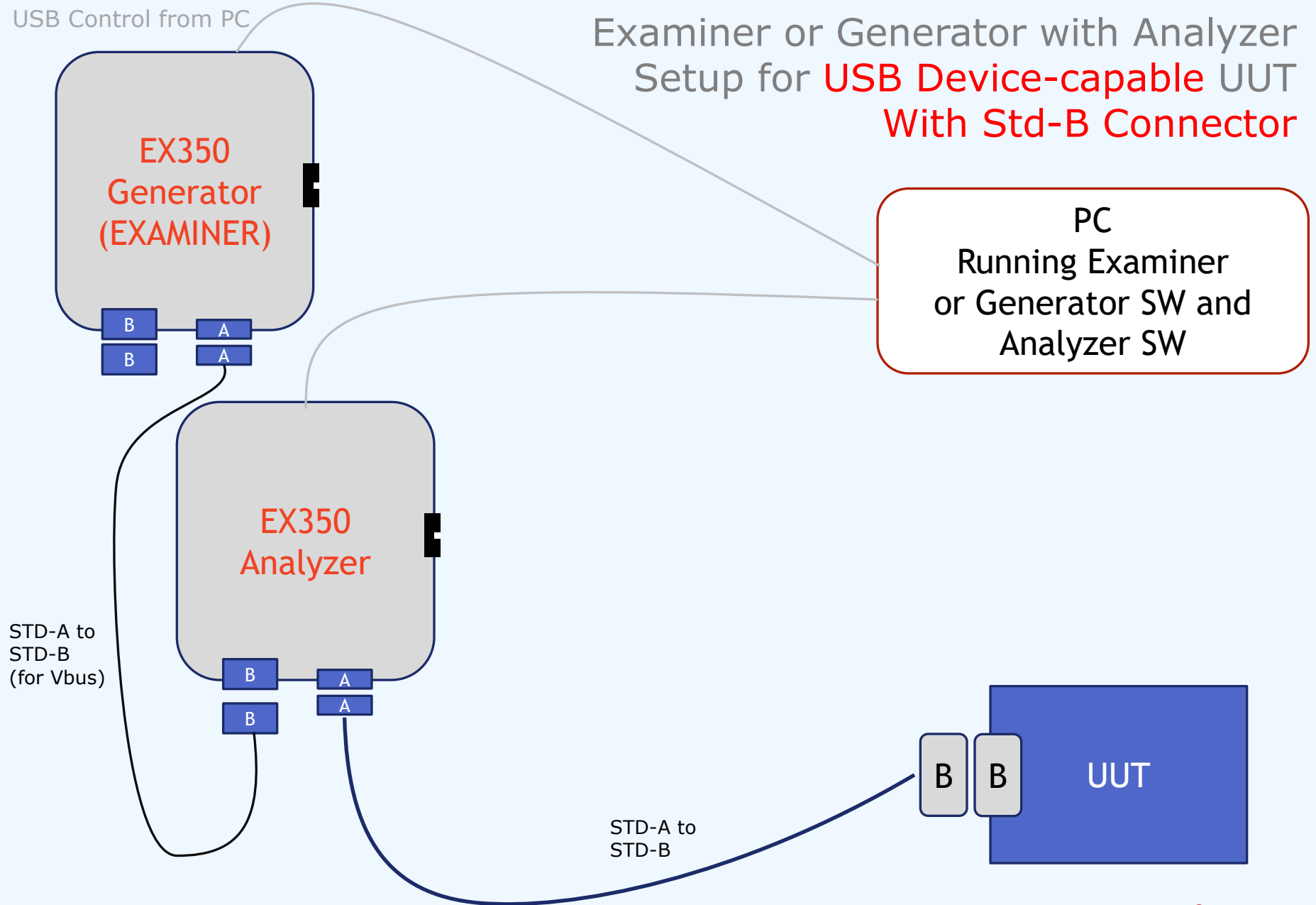


Examiner or Generator with Analyzer Setup for USB Device-capable UUT

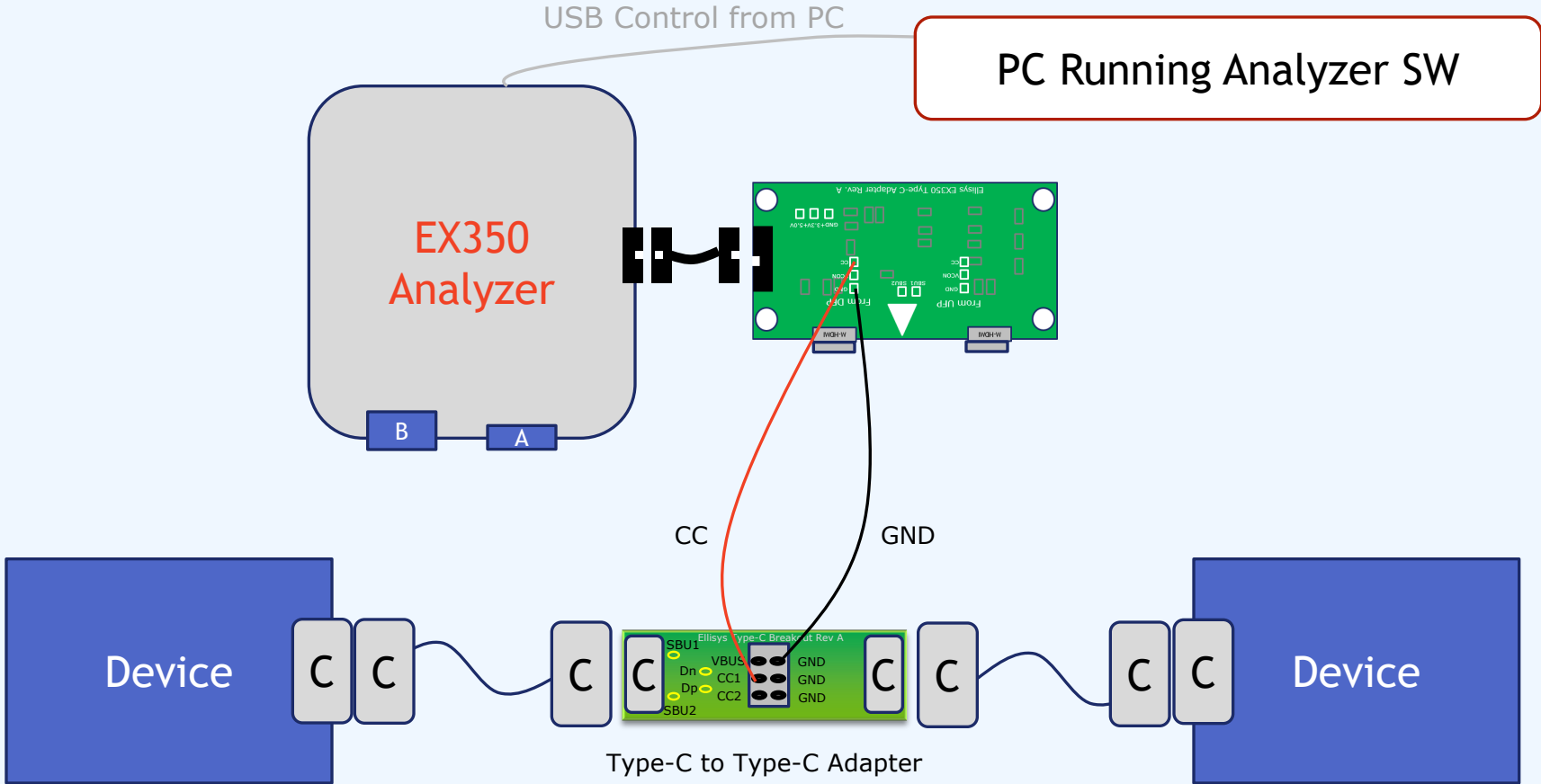
USB Control from PC



Examiner or Generator with Analyzer Setup for USB Device-capable UUT With Std-B Connector

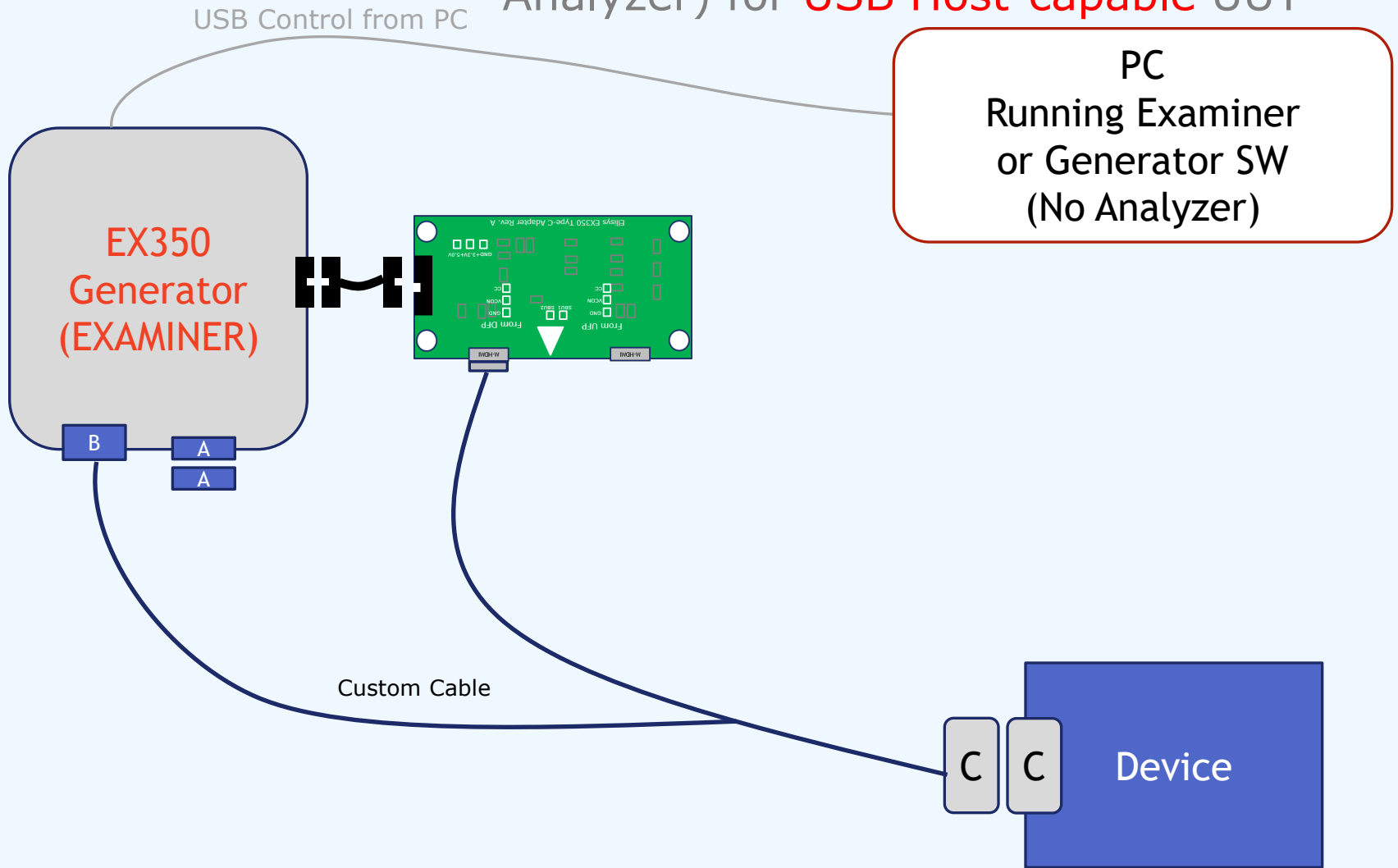


Alternate Approach for Analyzer

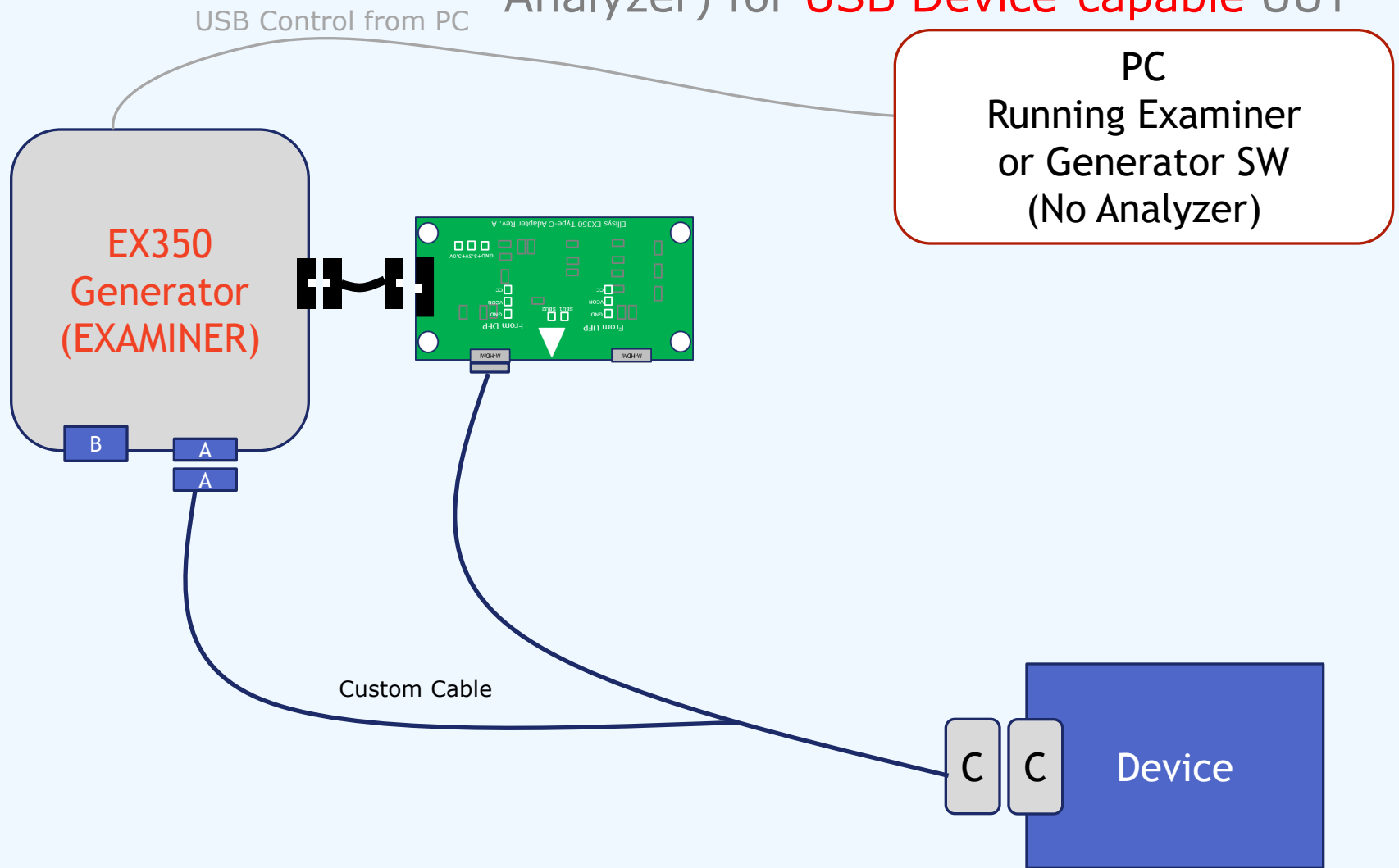


Info: orientation must be determined manually

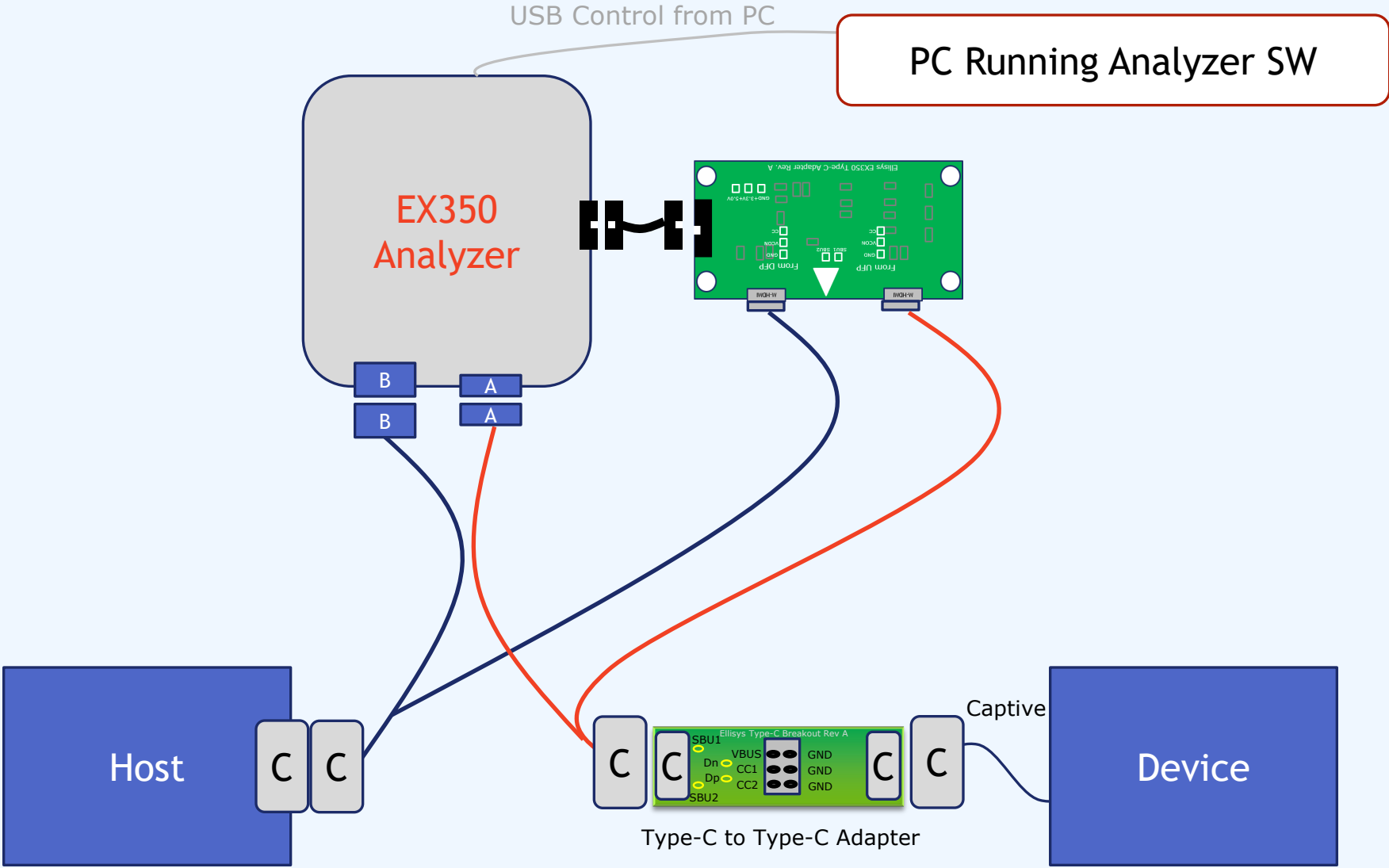
Examiner or Generator (without Analyzer) for **USB Host-capable** UUT



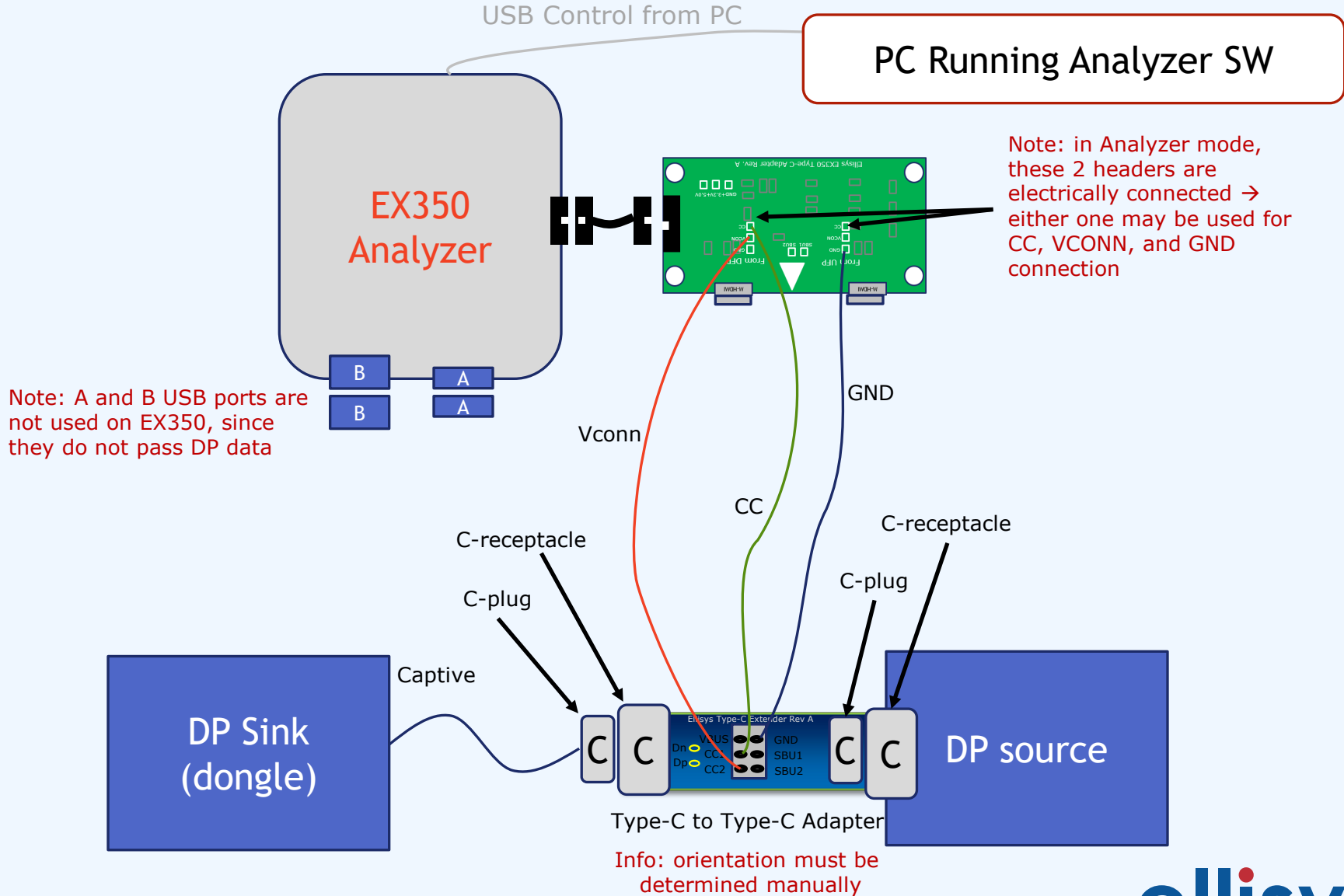
Examiner or Generator (without Analyzer) for **USB Device-capable** UUT



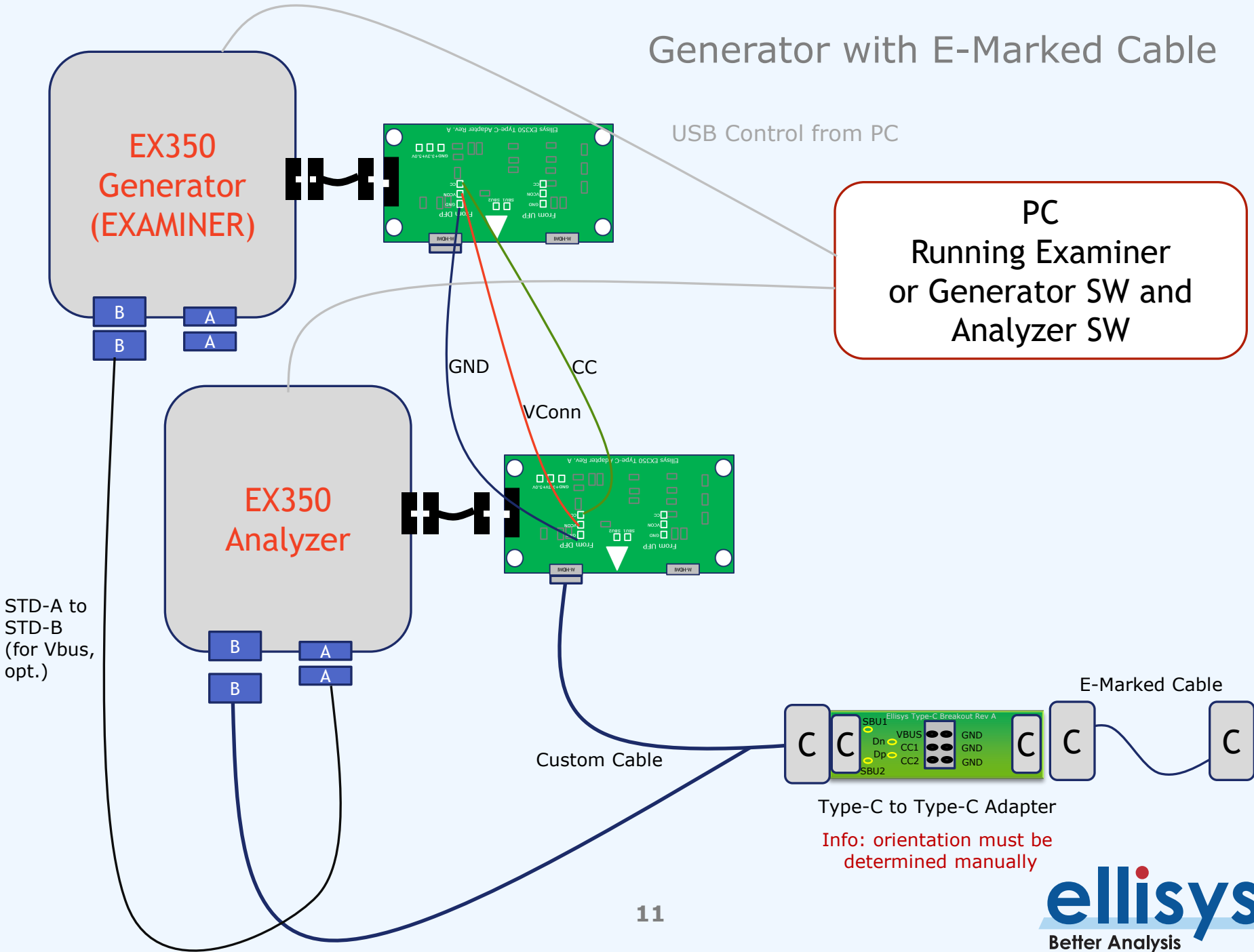
Captive Cable Approach



Analyzing DP Alt mode without blocking video signal



Generator with E-Marked Cable



Analyzer Passive Tapping to Board UUT

